

CL Water Series

Efficient
Oil-Fired
Cast Iron Boiler



- **Up to 87% AFUE, 80 to 201 Net BTUs**
 - In 6 sizes
- **Chimney vented**
- **Integrated boiler control**
 - User-friendly
 - Energy-saving “thermal purge” feature circulates residual warm water in heating system prior to firing boiler
 - Combination high limit circulator relay
 - Extensively tested & proven
- **Cast iron heat exchanger**
 - Wet base design
- **Tankless coil available**
 - For domestic hot water
- **Metal section connectors**
 - Resistant to chemicals, offer increased boiler longevity
- **Designed for ease of service**
 - Swing-away cast iron door provides easy access to combustion chamber
- **Lifetime limited warranty**
 - See your installing contractor for more warranty information



New Yorker[®]
RESIDENTIAL HEATING BOILERS

MADE IN

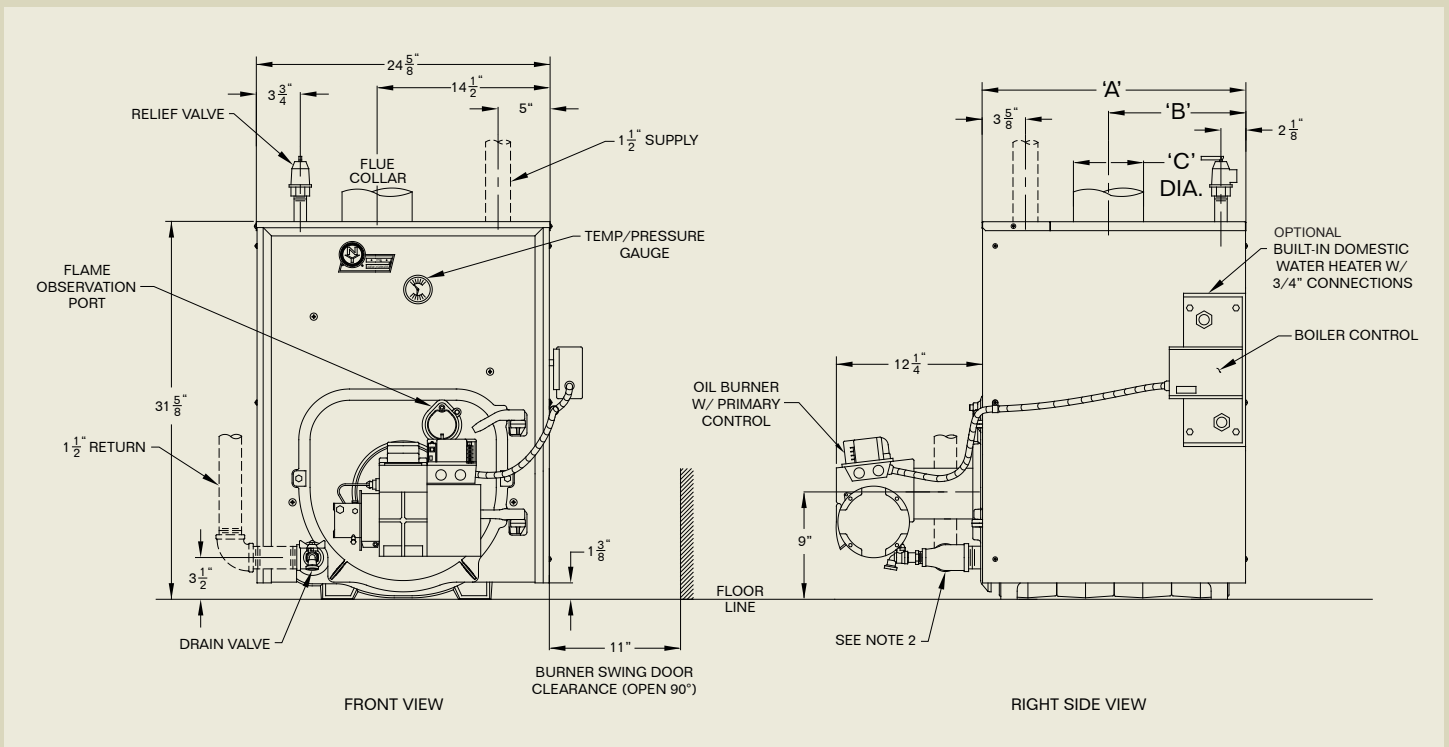
U . S . A .

Ratings, Specifications, & Dimensions

Model	DOE Heating Capacity (MBH)	AHRI Net Ratings (MBH)	Burner Capacity (GPH)	AFUE (%)	Minimum Chimney Requirements	Tankless Heater (GPM)	Jacket Depth 'A'	Jacket Rear to Center of Flue 'B'	Flue Collar Diameter 'C'	Approx Ship Wt. (lbs.)
CL3-105WE	92	80	0.75	87.0	8" x 8" x15'	3.00	17-3/8"	8-1/4"	5-7/8"	560
CL3-140WE	122	106	1.00	86.3	8" x 8" x15'	3.25	17-3/8"	8-1/4"	5-7/8"	560
CL4-168WE	148	129	1.20	87.0	8" x 8" x15'	3.75	22-3/8"	10-7/8"	6-7/8"	680
CL4-210WE	182	158	1.50	86.0	8" x 8" x15'	4.00	22-3/8"	10-7/8"	6-7/8"	680
CL5-245WE	214	186	1.75	86.4	8" x 8" x15'	4.25	27-3/8"	13-3/8"	7-7/8"	800
CL5-266WE	231	201	1.90	86.0	8" x 8" x15'	4.75	27-3/8"	13-3/8"	7-7/8"	800

Standard Features

- Fully packaged
- Integrated boiler control system
- Beckett AFG oil burner - burner packaged separately for easier handling
- Beckett GeniSYS primary control
- Electronic ignitor 14KV
- Taco 007e circulator
- Metal section connectors
- Combustion target wall
- Vertical flue design
- Insulated jacket designed for easy removal
- Relief valve



Notes:

- Circulator supplied loose — may be installed on supply or return.
- Return fittings and drain valve shipped loose.
- Piping shown hidden not furnished with boiler.

